



Sirman Spa
 Viale dell'Industria 9/11
 35010 PIEVE DI CURTAROLO (PD), Italy
 Tel./Fax. +39 049 9698666 / +39 049 9698688
 email: info@sirman.com



Sirman Slicers , model Mirra 300 Vas B.s. :

- Anodized cast aluminium alloy.
- Great distance between blade and motor for easy cleaning.
- Ventilated motor.
- Forged, hardened large thickness blades.
- Lapped sliding pins.
- Stainless steel screws and slice deflector.
- Strong thickness gauge support.
- Cast-in sharpener assembly.
- Compact dimensions but great cutting capacity.
- Device for releasing the carriage.



Device for releasing the carriage

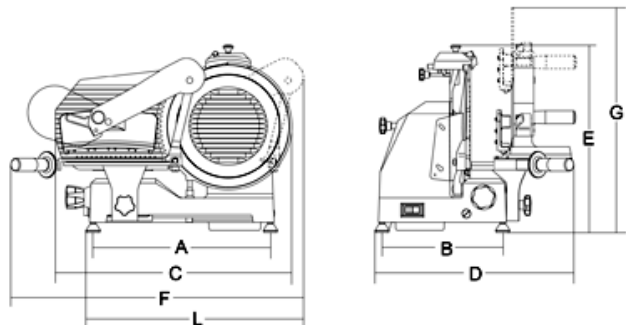
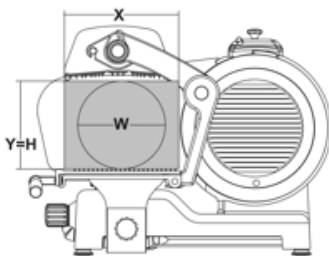


Underside motor protection plate



Blade removal tool

Data sheet



Technical data

Model	MIRRA 300 VERT. VAS
Ø Blade	mm 300/inch. 12"
Motor	Watt 210 - HP 0,29
Cut thickness	mm 13
Run of carriage	mm 265
Hopper	mm 275x260
A	mm 440
B	mm 300
C	mm 585
D	mm 540
E	mm 460
F	mm 740
G	mm 770
L	mm 580
X	mm 255
Y	mm 215
H	mm 215
W	mm 215
Net weight	kg 27
Shipping	mm 800x600x520

Gross weight	Kg 29,5
HS-CODE	84385000